

Levelling feet

with vibration damping / female thread

SPECIFICATION

Type

- Type **SV**: with damping element

Steel

- Tensile strength class 5.8
- zinc plated, blue passivated

Damping element

Elastomer (PUR)

- Sylomer SR 450-12
- anti-slip, glued
- grey
- oil resistant
- Operating range from -30 °C up to 70 °C

Hexagon nut ISO 4032

Steel zinc plated, blue passivated



INFORMATION

The specified load in the table of the levelling feet GN 342.1 is a recommendation up to which the damping element can be **permanently** subjected.

This static load equals a thrust on the area of 0.4 N/mm² at which the damping material reaches its optimum dynamic damping ability.

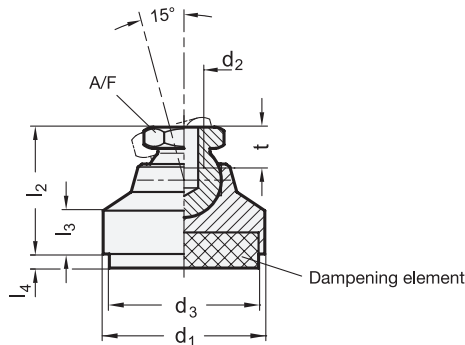
This also takes into account an additional load up to 0.6 N/mm² in the event of a dynamic load.

Levelling feet GN 342.1 cannot be disassembled.

Vibration absorption of Levelling feet GN 342.1.

TECHNICAL INFORMATION

- Elastomer characteristics (see page A32)
- Strength values (see page A20)



GN 342.1

Description	d1	d2	d3	l2	l3	I4 Compression			A/F	t	Area damping element in mm ²	Load in N by compression 0.4 N/mm ²	⚖️
						in N/mm ² 0	in N/mm ² 0.4	in N/mm ² 0.6					
GN 342.1-32-M10-SV	32	M10	30	29	11	5.5	3.8	2.7	15	10.5	707	280	65
GN 342.1-40-M12-SV	40	M12	38	30	9.5	6	4.3	3.3	17	11.5	1134	450	92
GN 342.1-50-M12-SV	50	M12	48	30.5	9	6.5	4.9	3.9	17	11.5	1809	720	137
GN 342.1-60-M16-SV	60	M16	58	37.5	10	7	5.5	4.4	24	16	2641	1050	275